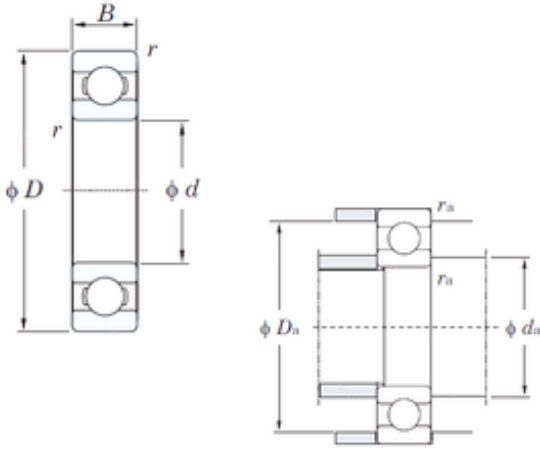




LIO BEARING LTD



Ikc 6317 2RS/Zz C3 Deep Groove Ball Bearings
 6318 6320 6322 6324 6316 6315 6314 in SKF NSK
 NTN Koyo

Bearing No. 6317

6317 Bearing 2D drawings and 3D CAD models

Size	85x180x41 mm
Bore Diameter	85 mm
Outer Diameter	180 mm
Width	41 mm
d	85 mm
D	180 mm
B	41 mm
C	41 mm
r min.	3 mm
da min.	98 mm
Da max.	167 mm
ra max.	2,5 mm
Weight	4,23 Kg
Basic dynamic load rating (C)	133 kN
Basic static load rating (C0)	96,8 kN
(Grease) Lubrication Speed	3700 r/min
(Oil) Lubrication Speed	4400 r/min
Category	Single Row Ball Bearings
Inventory	0.0
Manufacturer Name	KOYO
Minimum Buy Quantity	N/A
Weight / Kilogram	4.6
Product Group	B00308
Enclosure	Open



LIO BEARING LTD

Precision Class	ABEC 1 ISO P0
Maximum Capacity / Filling Slot	No
Rolling Element	Ball Bearing
Snap Ring	No
Internal Special Features	No
Cage Material	Steel
Internal Clearance	C0-Medium
Inch - Metric	Metric
Long Description	85MM Bore; 180MM Outside Diameter; 41MM Outer Race Diameter; Open; Ball Bearing; ABEC 1 ISO P0; No Filling Slot; No Snap Ring; No Internal Special Features
Category	Single Row Ball Bearing
UNSPSC	31171504
Harmonized Tariff Code	8482.10.50.68
Noun	Bearing
Keyword String	Ball
Manufacturer URL	http://www.koyousa.com
Manufacturer Item Number	6317
Weight / LBS	10.132
Outside Diameter	7.087 Inch 180 Millimeter
Bore	3.346 Inch 85 Millimeter
Outer Race Width	1.614 Inch 41 Millimeter
Bearing No.	6317
r(min)	3
Cr	166
C0r	96.8
Cu	6.35
f0	13.3
Grease lub.	3700



LIO BEARING LTD

Oil lub.	4400
da(min)	98
Da(max)	167
ra(max)	2.5
(Refer.) Mass(kg)	4.23