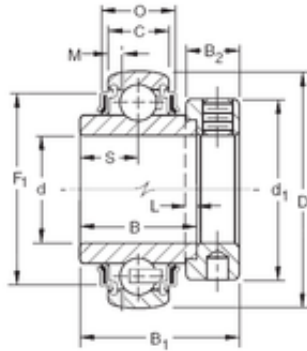




# LIO BEARING LTD

G-KRRB Two Seals  
Spherical O.D.



## 17,4625 mm x 40 mm x 27,78 mm TIMKEN G1011KRRB Insert Bearings Spherical OD

Bearing No. G1011KRRB

|                                  |                     |
|----------------------------------|---------------------|
| Size                             | 17.4625x40x27.78 mm |
| Bore Diameter                    | 17,4625 mm          |
| Outer Diameter                   | 40 mm               |
| Width                            | 27,78 mm            |
| d                                | 17,4625 mm          |
| D                                | 40 mm               |
| B                                | 27,78 mm            |
| C                                | 12 mm               |
| P                                | 16,56 mm            |
| O                                | 34,01 mm            |
| d1                               | 28,6 mm             |
| B1                               | 2,72 mm             |
| B2                               | 13,5 mm             |
| L                                | 4 mm                |
| S                                | 13,9 mm             |
| F1                               | 37,3 mm             |
| Weight                           | 0,118 Kg            |
| Basic dynamic load rating<br>(C) | 10,7 kN             |

G1011KRRB Bearing 2D drawings and 3D CAD models